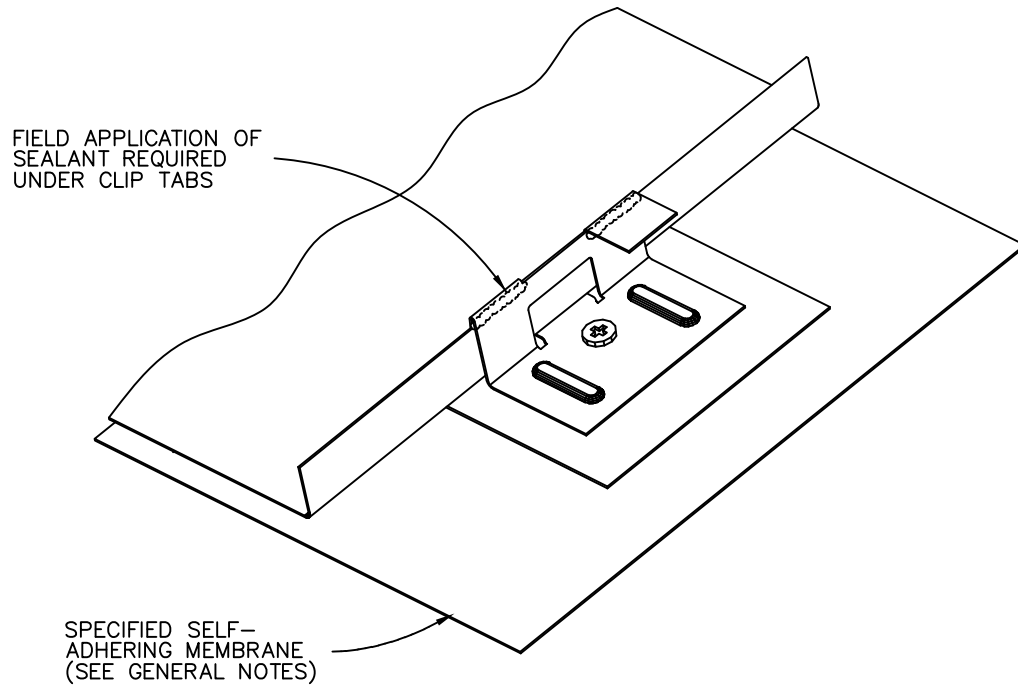
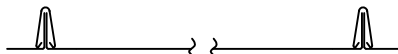


ADDITIONAL REQUIREMENTS FOR APPLICATIONS COVERED
BY AEP SPAN WEATHERTIGHTNESS WARRANTY (WTW)



SELECT SEAM
NARROW BATTEN



WEATHERTIGHTNESS
WARRANTY REQUIREMENTS

SSNB-23